

Description

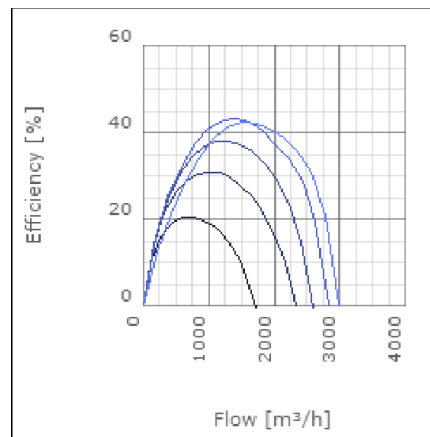
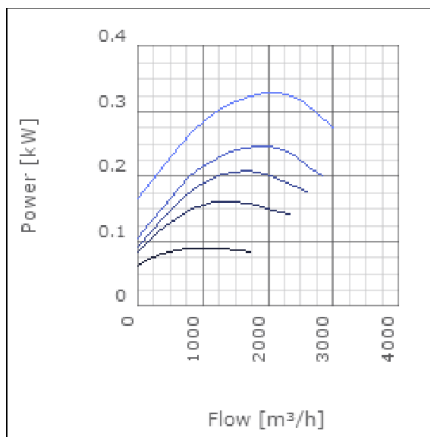
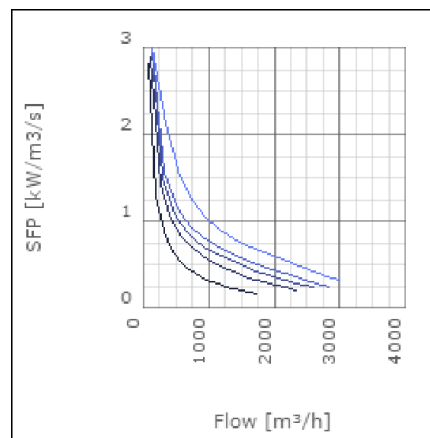
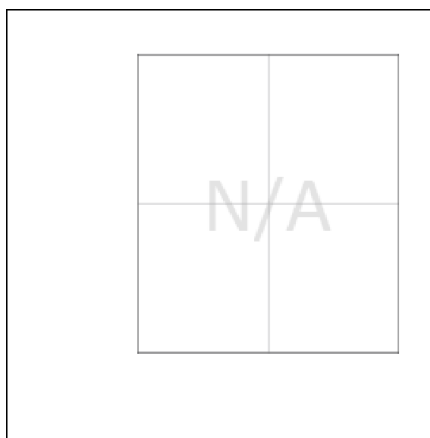
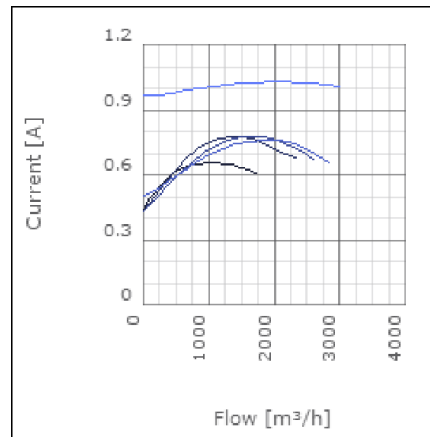
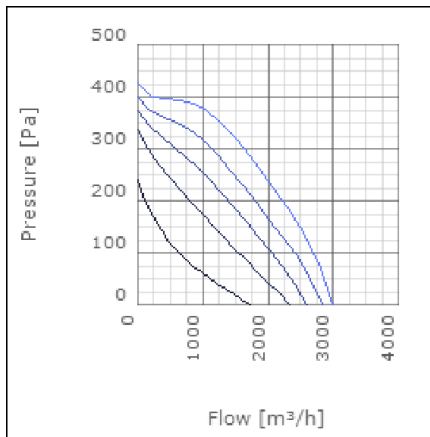
RKB is a range of straight flow in-line centrifugal duct fans designed for rectangular ducts. They are compact, high capacity fans which operate quietly and can be fitted in any position. RKB fans have backward curved impellers and are designed to cope with high pressure and long duct. The fans have a rigid housing made from galvanised steel. They are moisture proof and approved for use in outdoor environments. The motors are maintenance free and protected from overheating by thermo contacts. The impellers only require occasional cleaning. This cleaning is made easy with the RKB's swing out design. All fans are supplied fully wired and ready to fit in a sealed installation unit. The fans are not intended for transporting grinding dust, soot or similar. RKB fans come in 25 sizes.



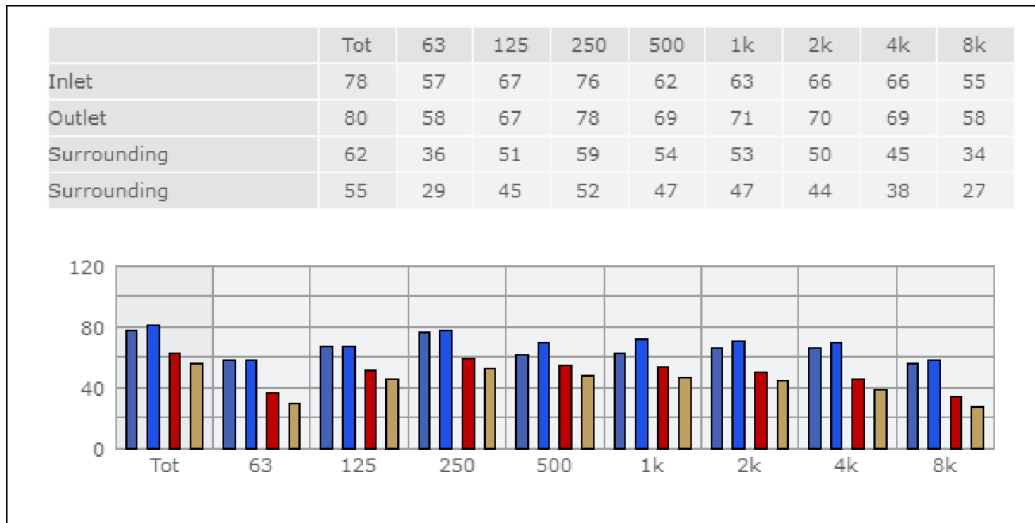
Technical data

Parameter	Value	Unit
Voltage	400	V
Phase	3	~
Frequency	50	Hz
Power	0.34	kW
Current	1.04	A
R.p.m.	24	r/s
Max. temperature of transported air	75	°C
Max. temperature of transported air when speed-controlled	75	°C
Sound pressure level at 3 m	53	dB(A)
Length	717	mm
Width	643	mm
Height	395	mm
Weight	31.5	kg
Enclosure class, motor	44	IP
Insulation class, motor	F	
Duct connection	600x350 mm	

Diagrams



Sound



Parameter

Distance: 3.000
 Propagation type: Hemi-spherical
 Equivalent absorption area: 20.00

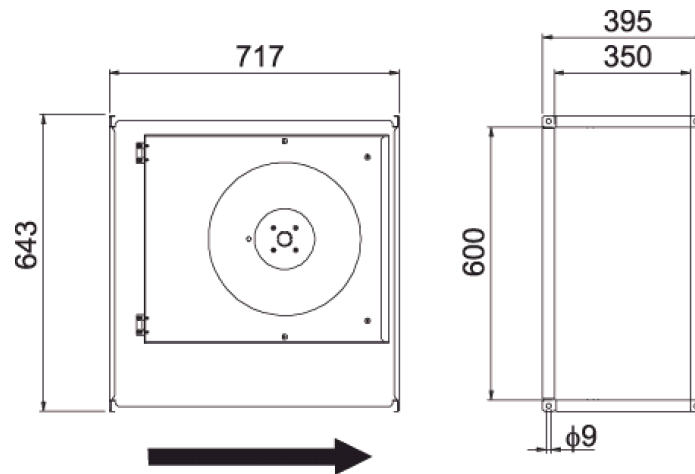
Checked point

Flow 1679.856m³/h
 Static pressure 294Pa

Working point

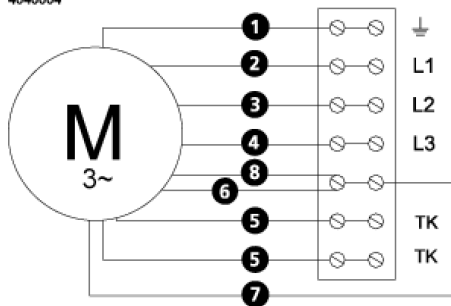
Flow 1681.007m³/h
 Static Pressure 294Pa
 Power 0.32kW
 Speed 0r/s
 Current 1.03A
 Voltage 400V
 Efficiency 42.405%
 SFP 0kW/m³/s

Dimensions



Wiring diagram

4040004



- (M) = Fan Motor
- (M1) = Fan Motor
- (M2) = Fan Motor
- (M3) = Rotor Motor
- 1 = Yellow/Green
- 2 = Black
- 3 = Blue
- 4 = Brown
- 5 = White (TW)
- 6 = Orange
- 7 = Grey
- 8 = Red
- 9 = Green
- 10 = Violet

Accessories

VRDT 2
VRTT 2

Electrical accessories

FLR 600x350
DS 600x300
LDR 600x350